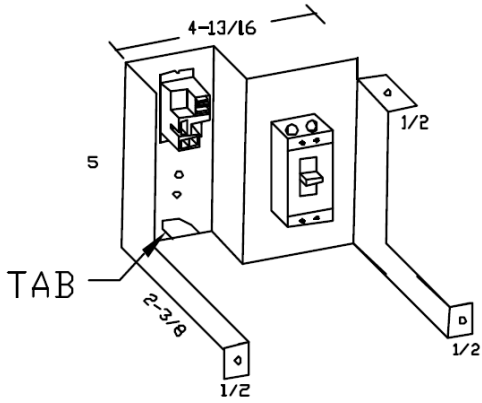
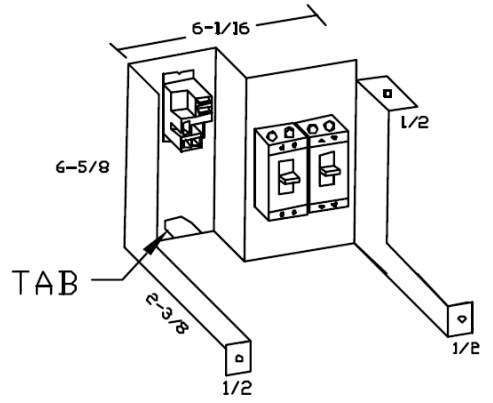


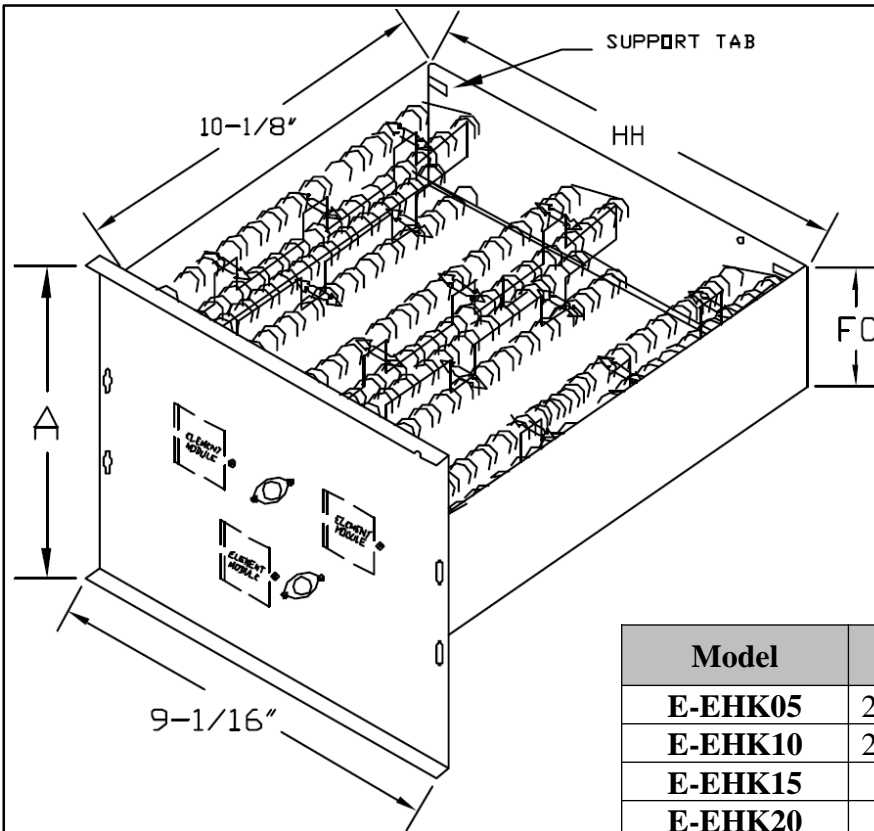
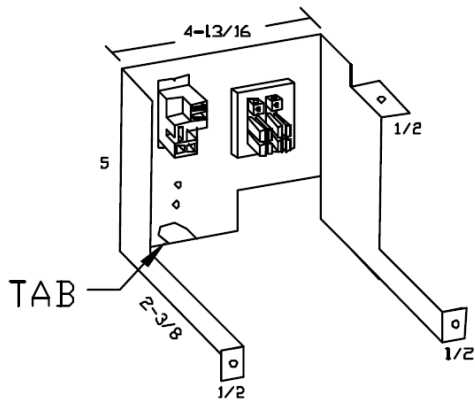
1-BREAKER MOUNTING BRACKET



2-BREAKER MOUNTING BRACKET



TERMINAL BLOCK MOUNTING BRACKET



Model	A	HH	FC	SEL
E-EHK05	2-11/16	7	2-1/8	1
E-EHK10	2-11/16	7	2-1/8	2
E-EHK15	5-1/8	7	4-1/8	3
E-EHK20	5-1/8	7	4-1/8	4

Electric Heater Data

Heater Kit Model	AHU Model	Electric Heater(kW)	MIN. Circuit Ampacity		MAX. Fuse or Breaker (HACR) Ampacity		Fan speed				
			240	208	240	208	1	2	3	4	5
E-EHK05	24	5	25	22	30	25	×	●	●	●	●
E-EHK10		10	49	43	60	50	×	×	●	●	●
E-EHK05	36	5	25	22	30	25	×	●	●	●	●
E-EHK10		10	49	43	60	50	×	×	●	●	●
E-EHK15		5+10	25+49	22+43	30+60	25+50	×	×	●	●	●
E-EHK05	48	5	25	22	30	25	×	●	●	●	●
E-EHK10		10	49	43	60	50	×	●	●	●	●
E-EHK15		5+10	25+49	22+43	30+60	25+50	×	×	●	●	●
E-EHK20		10+10	49+49	43+43	60+60	50+50	×	×	×	●	●
E-EHK05	60	5	25	22	30	25	×	●	●	●	●
E-EHK10		10	49	43	60	50	×	●	●	●	●
E-EHK15		5+10	25+49	22+43	30+60	25+50	×	×	●	●	●
E-EHK20		10+10	49+49	43+43	60+60	50+50	×	×	×	●	●

● means available × means unavailable

Heater kits are suitable for air handler multiple position installation.

Safety Cautions

All electric work must be performed by qualified personnel.

EHK series is designed and approved to be installed in the EAHATN series air handlers.

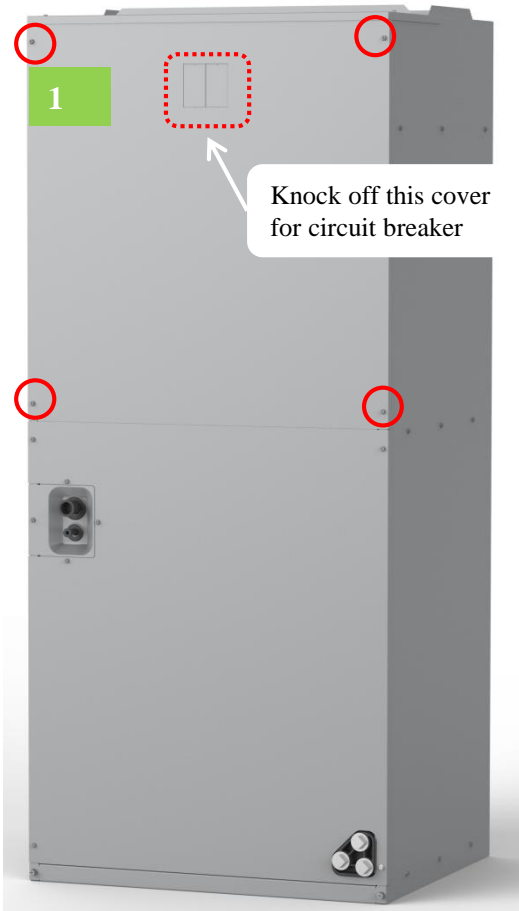
- Check the heater label to confirm suitable KW selection based on room load under lowest temperature ambient.
- Inspect all porcelain in insulators for breakage and the intact of heater element wire. Contact local distributor immediately if there is any occurred damage.

Warning

- Disconnect all external power supplies before performing installation and service. Turn off accessory heater power switch if applicable. Failure to do so may cause serious injury.
- EHK must be properly grounded and use copper supply wires.
- Make sure to follow national electric code and local regulations.
- When installing it in an enclosed area such as a garage, heater elements should have a minimum clearance of 18" from the floor to insure the proper ventilation.

Electric Heater Installation Guide

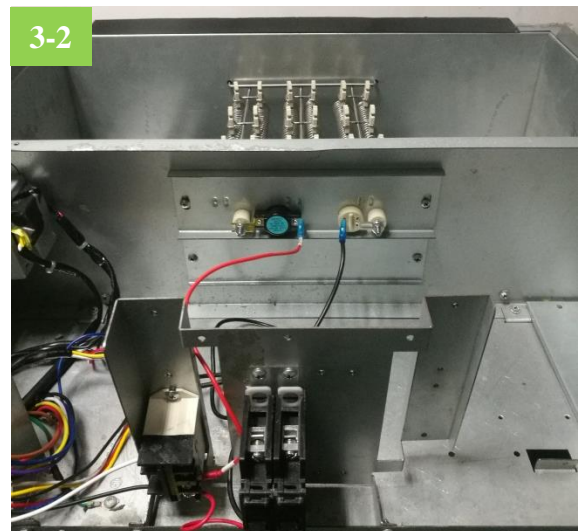
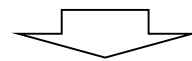
STEP 1. Unfasten 4 screws to take away the blower access panel of the air handler.



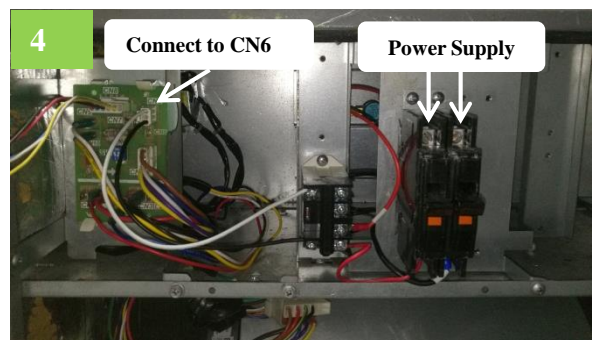
STEP 2. Remove cover plate based on actual requirement.



STEP 3. Slide the kit into the duct and fasten the element (e.g. attachment and wires).

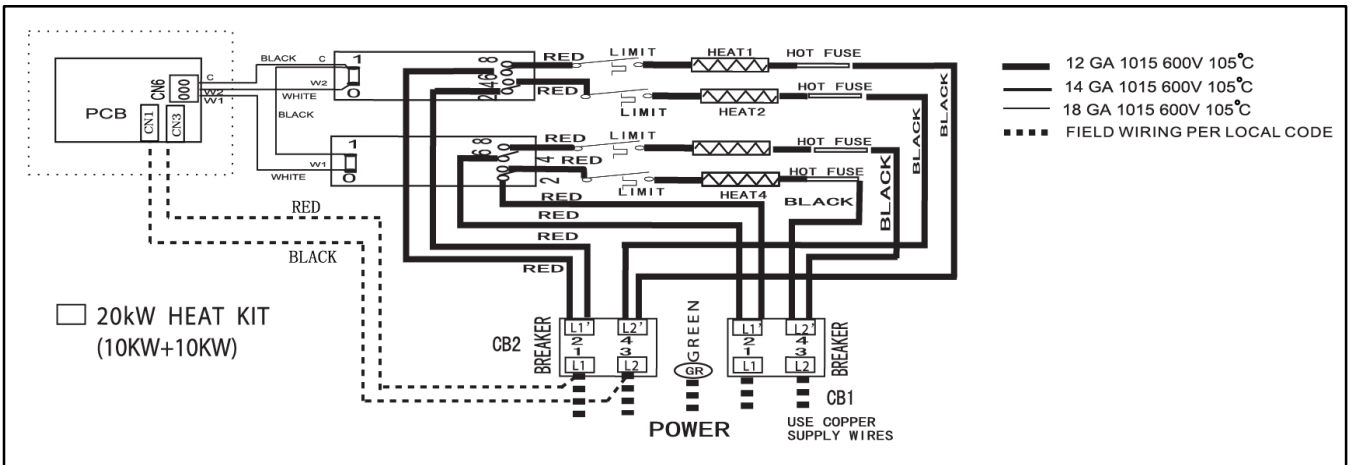
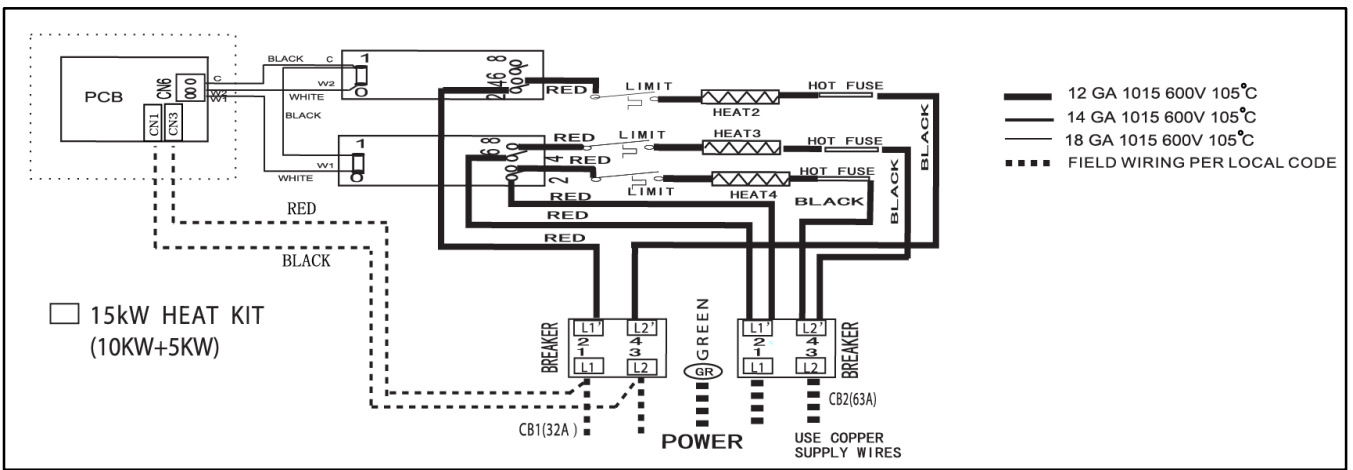
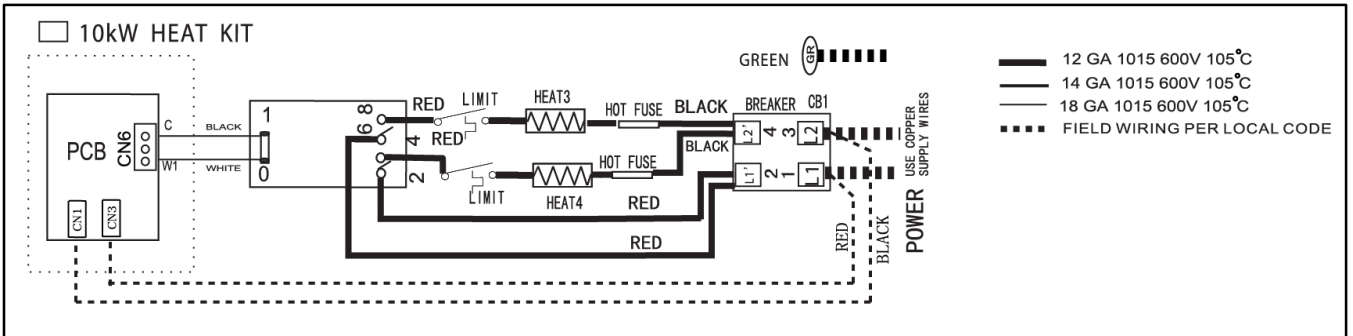
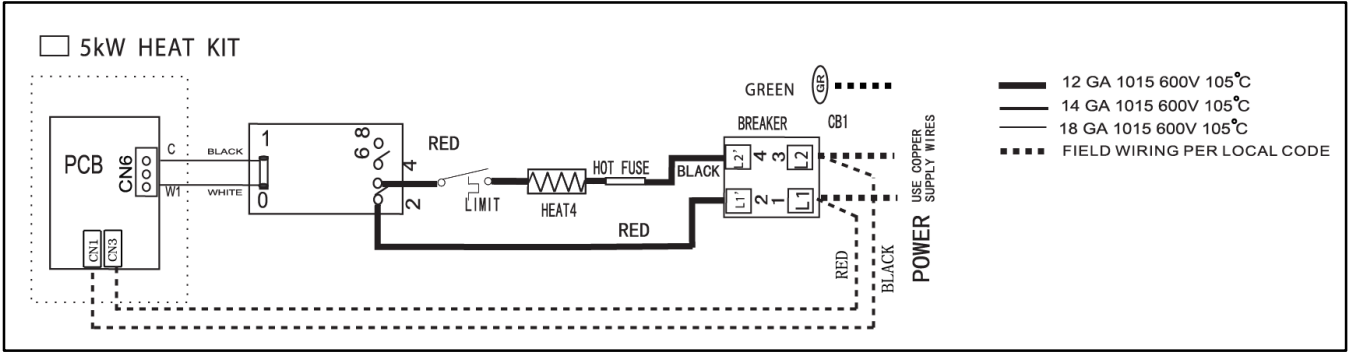


STEP 4. Install the circuit breaker into the mounting rail. Knock off the reserved cover for breaker in blower access panel prior to put it back to the unit.



WARNING

Disconnect all power to unit before installing or servicing. More than one disconnect switch may be required to de-energize the equipment. Hazardous voltage can cause severe personal injury or death.



Wiring diagram for electric heater