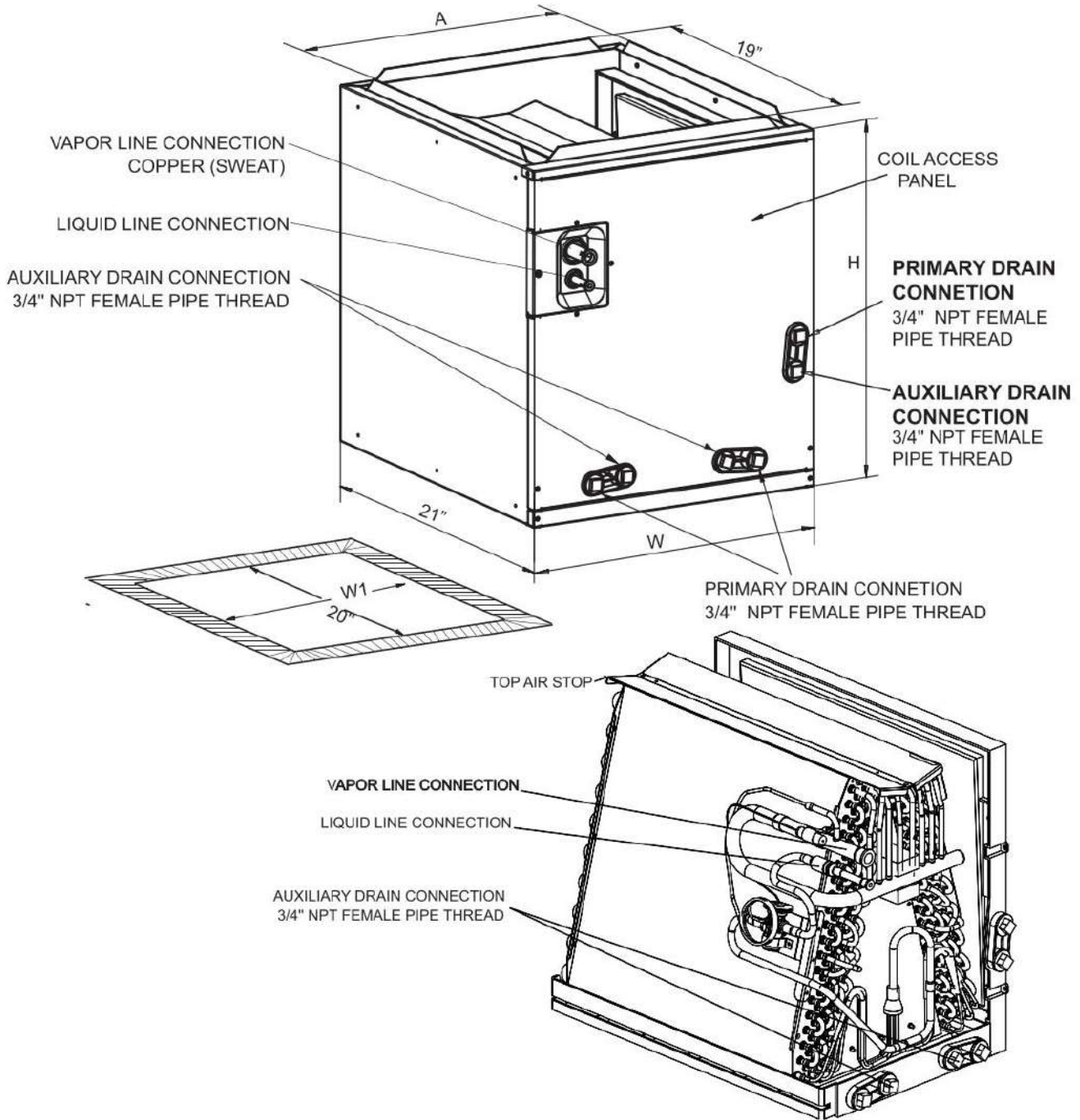


# Multi-position Cased Coil GNC2430BPT

TAG:

**SUBMITTAL**



Model	Dimensions (in.)			
	H	W	A	W1
GNC2430BPT	20	17½	16	16½

## Product Specifications

MODEL	GNC2430BPT
COIL TYPE	All aluminum evaporator coil
Rows	4
Fins per Inch	17
Tube Size	9/32
Metering Device	Factory-installed TXV metering
Applications	Up-flow or horizontal right standard Field convertible to down-flow or horizontal left
Drain Pan	Horizontal and Vertical
Drain Connection Size (in.)	3/4 NPT
Refrigerant	R-410A
Ref. Pipe Connections	Brazed
Liquid Pipe Size (in. O.D.)	3/8
Gas Pipe Size (in. O.D.)	3/4
Dimensions (W X H X D)	17-1/2 x 20 x 21
Net Weight (LBS)	46.7
Shipping Weight (LBS)	54.5

### Airflow performance [CFM vs pressure drop]

Model	Pressure Drop (Inches W.C)							
	0.05	0.1	0.15	0.2	0.25	0.3	0.35	0.4
GNC23430BPT	327	527	682	810	925	1024	1122	1217

\* Data based on wet coil with entering air at 80FDB/67FWB without air filter.

**NOTE:** Water blow-off could occur if the airflow setting exceeds values below.

Max. airflow setting in up-flow: 1125CFM

Max. airflow setting in horizontal left: 1050CFM

Max. airflow setting in down-flow: 1050CFM

Max. airflow setting in horizontal right: 1125CFM

