



Parts List for SDi Decades Extreme Series Heat Pump Units

ESCA16H-36

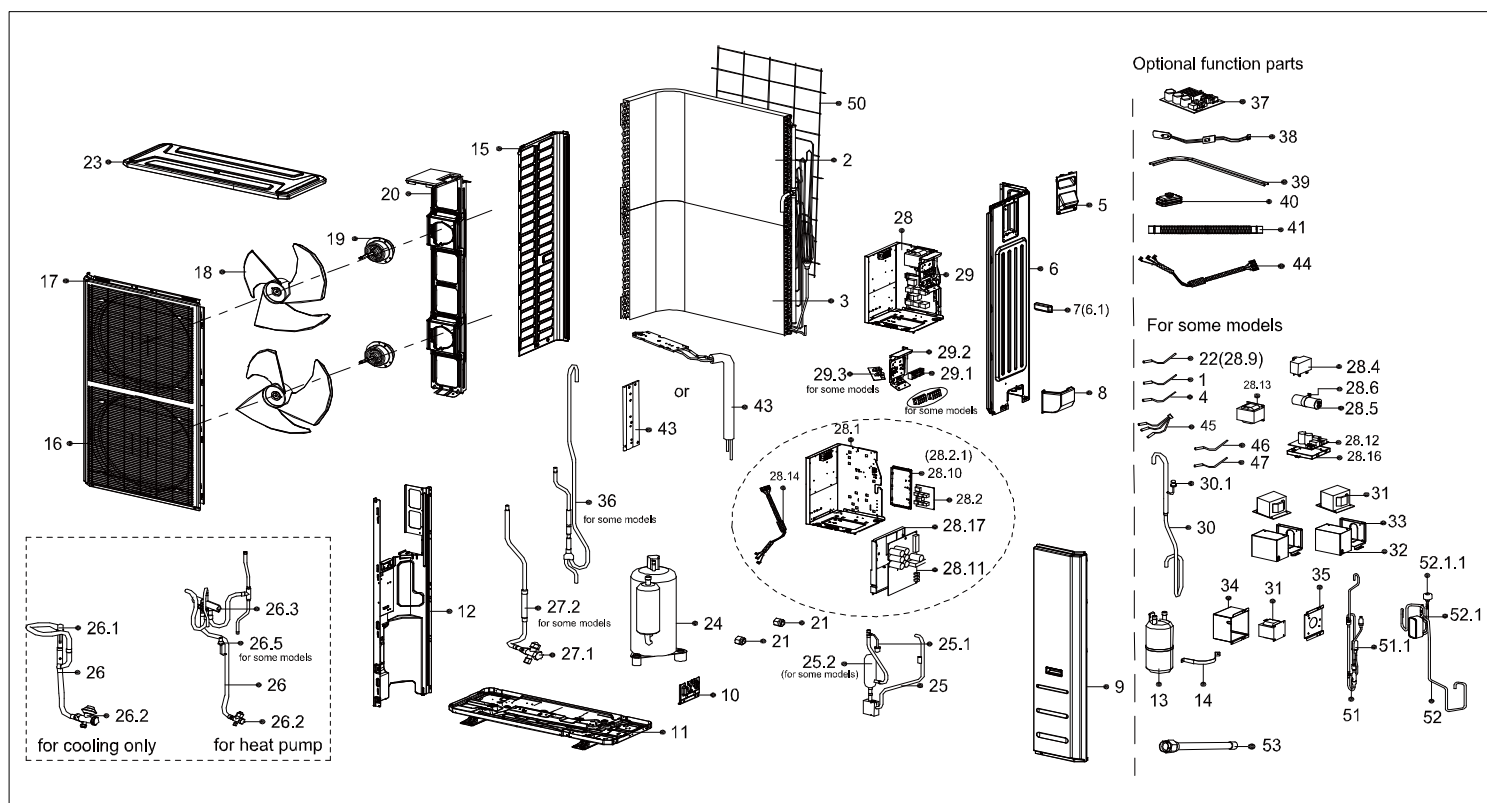
3Ton Heat Pump

ESCA16H-60

5TonHeat Pump



Model	Part Number
ESCA16H-36	EAC0001000003
ESCA16H-60	EAC0002000004



#	Part Name	Qty	Parts number	
			36	60
1	Outdoor temperature sensor(T4)	1	EAC11201007003425	
2	Condenser assembly	1	EAC15822500000359	EAC15822000013007
3	Condenser assembly	1	EAC15822500000361	EAC15822000013486
4	Condenser temperature sensor(T3)	1	EAC11201007003441	
5	Big handle assembly	1	EAC12222000013365	
6	Rear right panel assembly	1	EAC12222000012373	
6.1	Handle	1	EAC12100702000038	
8	Water collector	1	EAC12122000014023	
9	Front right panel assembly	1	EAC12222000006287	
10	Valve plate	1	EAC12222200002361	
11	Chassis assembly	1	EAC12222000006290	EAC12222000013910
12	Partition board assembly	1	EAC12222000005733	EAC12222000017025
13	Accumulation tank	1	EAC15500508000009	EAC15500508001475
15	Left side panel assembly	1	EAC12222200002363	
16	Air outlet grille	2	EAC12222000014845	
17	Front panel	1	EAC12222000007564	
18	Axial flow fan	2	EAC12100105000022	
19	Brushless DC Motor	2	EAC11002015009825	
20	Motor bracket assembly	1	EAC12222000006288	EAC12222000016092
21	Copper nut	1	EAC15500406000010	
21	Copper nut	1	EAC15500406000008	N/A
22	Discharge temperature sensor	1	EAC11201007003124	

#	Part Name	Qty	Parts number	
			36	60
23	Top cover assembly	1	EAC1222200002359	
24	DC Inverter Rotary Compressor	1	EAC11103020006279	EAC11103020006399
25	Discharge pipe assembly	1	EAC15122000026158	EAC15122000031463
25.1	Pressure switch	1	EAC17400516000851	
26	4-way valve assembly	1	EAC15422000022539	EAC15422000022895
26.2	Low Pressure valve	1	EAC15500204000482	EAC15500204000027
26.3	4-way valve	1	EAC15500216000681	
26.5	Pressure sensor	1	EAC11201008000773	
27	High pressure valve assembly	1	EAC15422000021392	EAC15422000022896
27.1	Low Pressure Valve	1	EAC15500204000021	
28	Electronic control box assembly	1	EAC17222000037996	EAC17222000040226
28.1	PCB installation plate	1	EAC12222000012372	
28.2	Inverter module assembly	1	EAC17122000055266	
28.10	Electronic installation box	1	EAC12122000014342	
28.11	Outdoor main control board assembly	1	EAC17122000056147	EAC17122000058490
28.14	Compressor wire set	1	EAC17401203017294	EAC17401203022090
28.17	Electronic installation box	1	EAC12122000020943	
29	Terminal board assembly	1	EAC17222000037997	EAC17222000040206
29.1	Wire connector	1	EAC17400401003456	
29.2	Terminal installation assembly	1	EAC12222000015266	
29.3	Inverter module assembly	1	EAC17122000056145	EAC17122000058473
30	Suction pipe assembly	1	EAC15122000028742	EAC15122000031459
30.1	Pressure switch	1	EAC17400516000850	EAC17400516000009
36	High pressure valve assembly	1	EAC15422000021392	N/A
38	Crankcase electric heating strip	1	EAC17402001000602	
39	Electric heating tube	1	EAC17402002000466	
41	Drain pipe	1	EAC12100509000038	
43	Radiator assembly	1	EAC15122000026162	EAC15122000031462
46	Suction temperature sensor at 24V board	1	EAC11201007000136	
47	Refrigerant temperature sensor at 24V board	1	EAC11201007003445	
50	Rear net	1	EAC12222000007944	
51	Electronic expansion valve assembly	1	EAC15422000017595	EAC15422000022897
51.1	Electronic expansion valve	1	EAC15500213000265	EAC15500213000245
52	Plate heat exchanger assembly	1	EAC15700101000876	EAC15700101001416
52.1	Electronic expansion valve assembly	1	EAC15422000017593	EAC15422000022915
52.1.1	Electric expansive valve	1	EAC15500213000865	
53	Evaporator connecting pipe assembly	1	EAC15123000A01653	EAC15123000012948
53	Evaporator connecting pipe assembly	1	EAC15123000012948	EAC15123100A00130

©2023 ECOER INC.

43671 Trade Center Place, Suite 100Dulles, VA 20166 USA

Tel: 703-348-2538

www.ecoer.com