



Making your home Green & Smart

Dual Fuel Kit Installation Guide



WARNING

Disconnect all power to unit before installing or servicing. More than one disconnecting switch may be required to de-energize the equipment. Hazardous voltage can cause severe personal injury or death.

ALL phases of this installation must comply with NATIONAL, STATE AND LOCAL CODES

IMPORTANT — This Document is **customer property** and is to remain with this unit. Please return to service information pack upon completion of work.

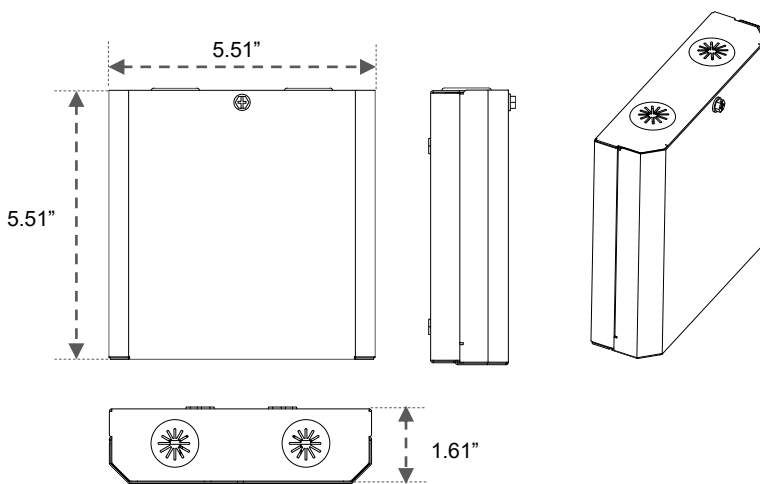
DESCRIPTION

The Dual fuel kit is a control box that can properly convert the thermostat signal to ensure that heat pump and furnace can work together normally, prevent the heat pump and furnace may obtain conflicting control commands, and effectively protect the normal operation and safety of the heat pump system.

Resettable fuse on the PCB for 24v, can be timely protection and recovery in case of operation error, no need to replace the fuse.

Note: If the thermostat that supports 2-stage and dual fuel functions matches and works well with the furnace, this kit is not required.

The kit is depicted below.

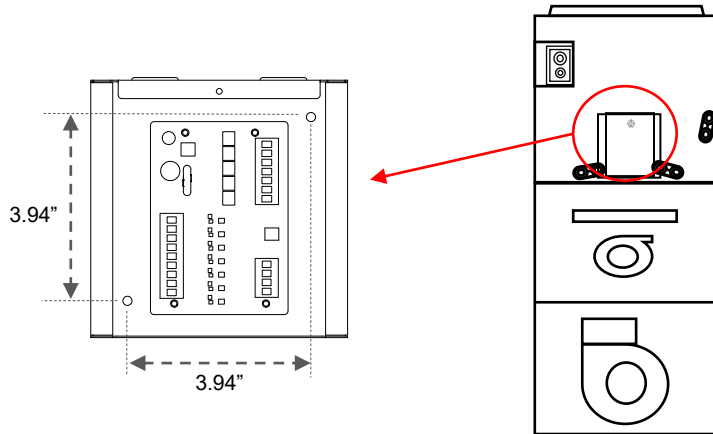


PARTS LIST FOR KITS

Item	Qty.
Control box	1
Installation Guide	1

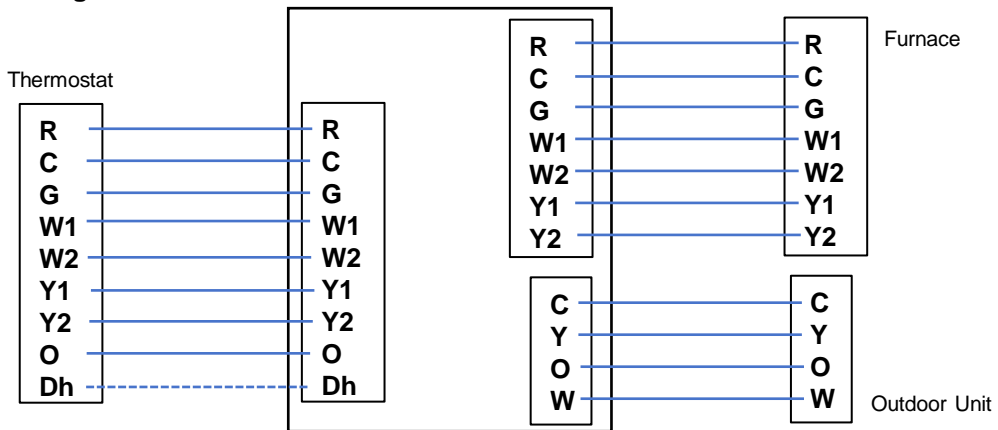
The steps for installing the kit are as follows:

Step 1: Place it in a suitable place near the coil and furnace by pasting or screws.

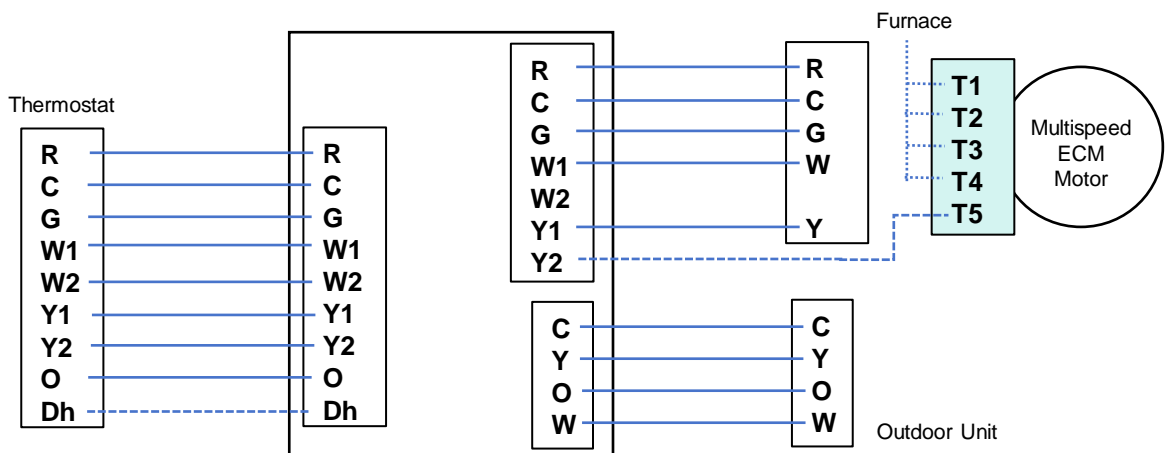


Step 2: Make appropriate signal wires connections.

2-stage Furnace:



Single stage Furnace with multispeed ECM motor:



Note: This connection requires professionals to determine the appropriate way and select the right motor speed on site.