



Parts List for Ecoer TDi Pro Series Heat Pump Units

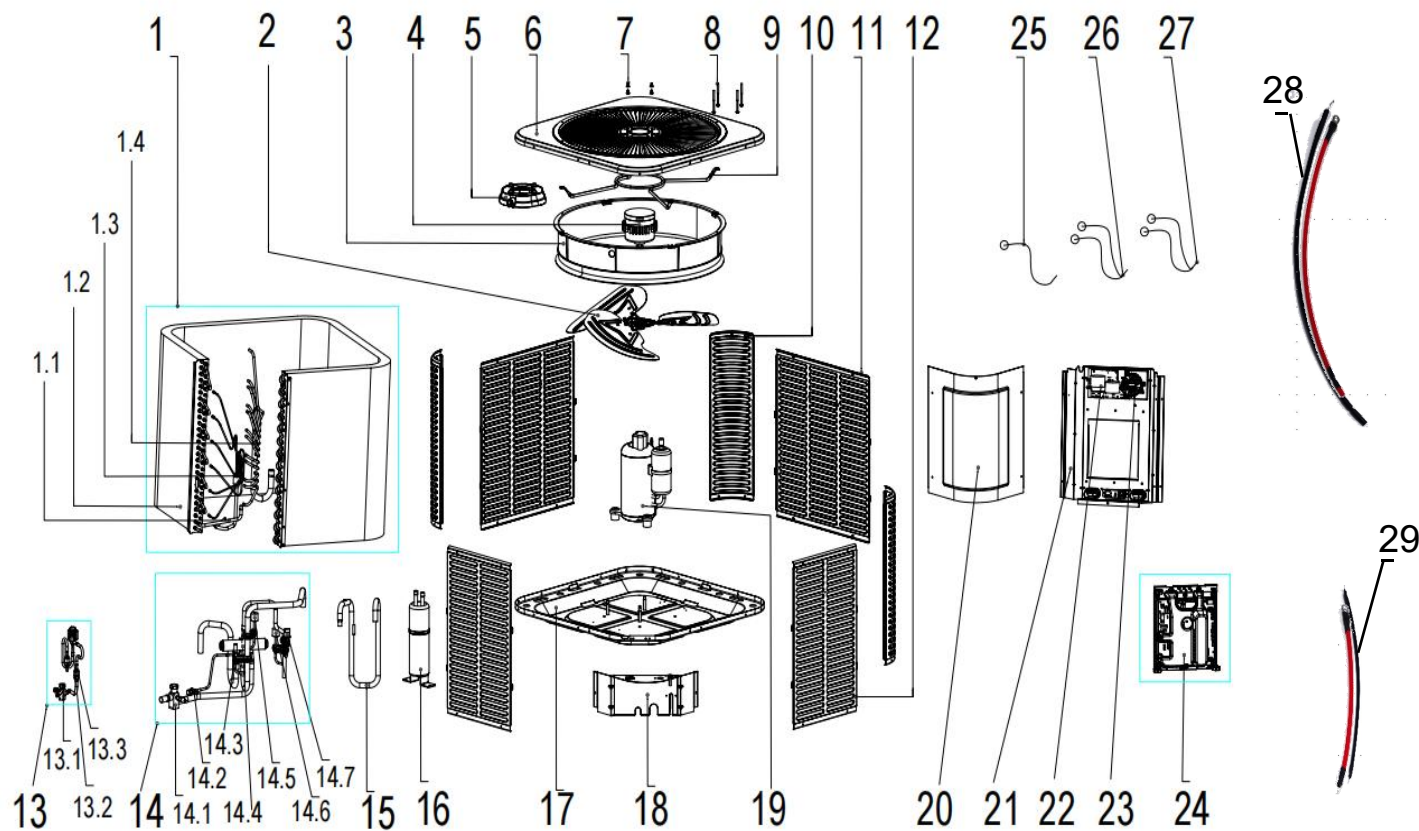
EODA19H-2436AAA

2/3Ton Heat Pump

EODA19H-4860AAA

4/5Ton Heat Pump





#	Part Name	Quantity	Parts number	
			2436AAA	4860AAA
1	Condenser ass'y	1	E.AC.2312100016	E.AC.2312100022
1.1	Condenser connection pipe ass'y	1	E.AC.2400000102	E.AC.2400000042
1.2	Condenser	1	E.AC.2400000076	E.AC.2400000031
1.3	Condenser outlet pipe ass'y	1	E.AC.2400000091	E.AC.2400000056
1.4	Condenser inlet pipe ass'y	1	E.AC.2400000115	E.AC.2400000043
2	Fan	1	E.AC.2308100008	
3	Guide ring	1	E.AC.2307100001	
4	Brushless DC Motor	1	E.AC.2323100001	
5	Motor installation board ass'y	1	E.AC.230803381	
6	Top cover ass'y	1	E.AC.41207-000036	
7	Cap nut	4	E.AC.2319100015	
8	Electrical installation bolt	4	E.AC.2319100013	

#	Part Name	Quantity	Parts number		Remark
			2436AAA	4860AAA	
9	Roof support frame	1	E.AC.2308100007		
10	Supporting board	3	E.AC.230801590B	E.AC.230801609B	
11	Side board ass'y	2	E.AC.230803142	E.AC.230802064A	
12	Side board ass'y	2	E.AC.230803143	E.AC.230802065A	
13	High-pressure valve ass'y	1	E.AC.2312100019	E.AC.2312100025	
13.1	Liquid block valve	1	E.AC.2312100008		
13.2	Electronic expansion valve (EEV)	1	E.AC.2312100013	E.AC.2312100007	
13.3	EEV solenoid coil	1	E.AC.2309100009		
14	Reversing valve ass'y	1	E.AC.2312100017	E.AC.2312100023	
14.1	Gas block valve	1	E.AC.2312100012	E.AC.2312100004	
14.2	Pipe joint ass'y	1	E.AC.2312100006		
14.3	Solenoid valve	1	E.AC.2312100005		
14.4	Reversing valve	1	E.AC.2312100003 E.AC.2309100008		E.AC.2312100003-valve body E.AC.2309100008-valve coil
14.5	Low pressure sensor	1	E.AC.2309100004		Blue color
14.6	High pressure sensor	1	E.AC.2309100002		Red color
14.7	High pressure switch	1	E.AC.2309100003		
15	Suction pipe ass'y	1	E.AC.2312100018	E.AC.2312100026	
16	Refrigerant accumulator	1	E.AC.2312100010	E.AC.2312100029	
17	Chassis Parts	1	E.AC.41202-000347		
18	Lower side plate	1	E.AC.230803138	E.AC.230803139	
19	Compressor	1	E.AC.2315100002	E.AC.2315100001	
20	Upper cover plate	1	E.AC.41105-000330	E.AC.41105-000331	
21	Electrically controlled mounting board	1	E.AC.41214-001011	E.AC.41214-001012	
22	Noise filter ass'y (EMI)	1	E.AC.230904101	E.AC.230904102	
23	PFC inductor	1	E.IND.080012	E.IND.080011	
24	Motherboard component	1	E.AC.230904165	E.AC.230904166	
25	Discharge Temp. sensor	1	E.AC.2309100007		TD temperature sensor
26	Pipe Temp. sensor ass'y	1	E.AC.2309100006		TL temperature sensor TH temperature sensor
27	Temp. sensor ass'y	1	E.AC.2309100005		TS temperature sensor TA temperature sensor
28	Power cable assembly (RED+BLACK)	1	E.CAB.000001		
29	Power cable assembly connecting EMI and PCB	1	E.CAB.020003		connecting EMI and PCB CN19-Red color connecting EMI and PCB CN18-Black color

©2022 ECOER INC.

43671 Trade Center Place, Suite 100 Dulles, VA 20166 USA

Tel: 703-348-2538

www.ecoer.com